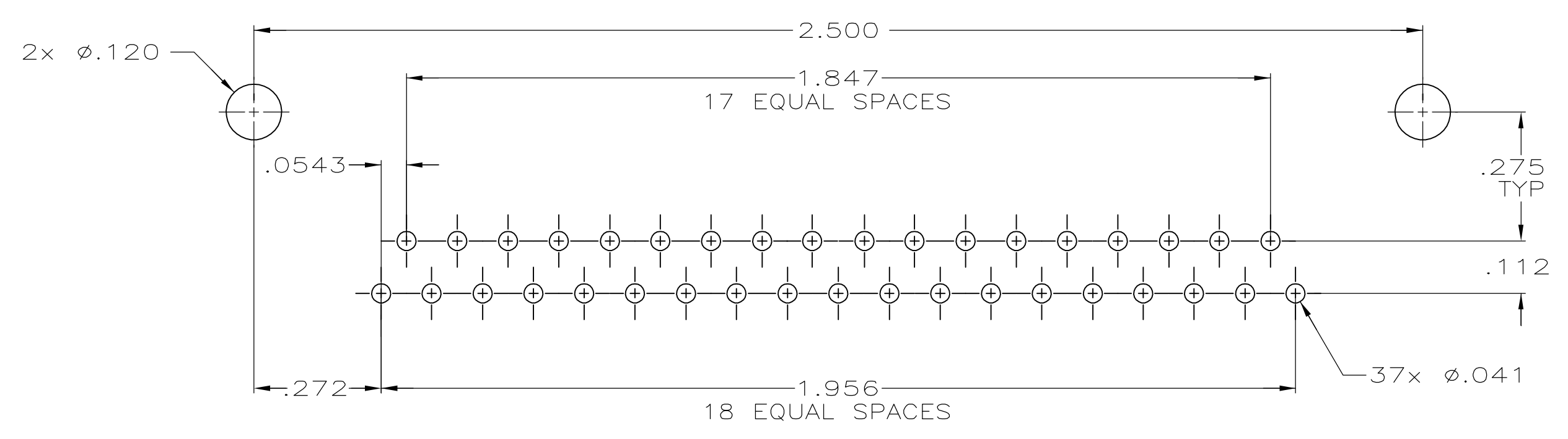
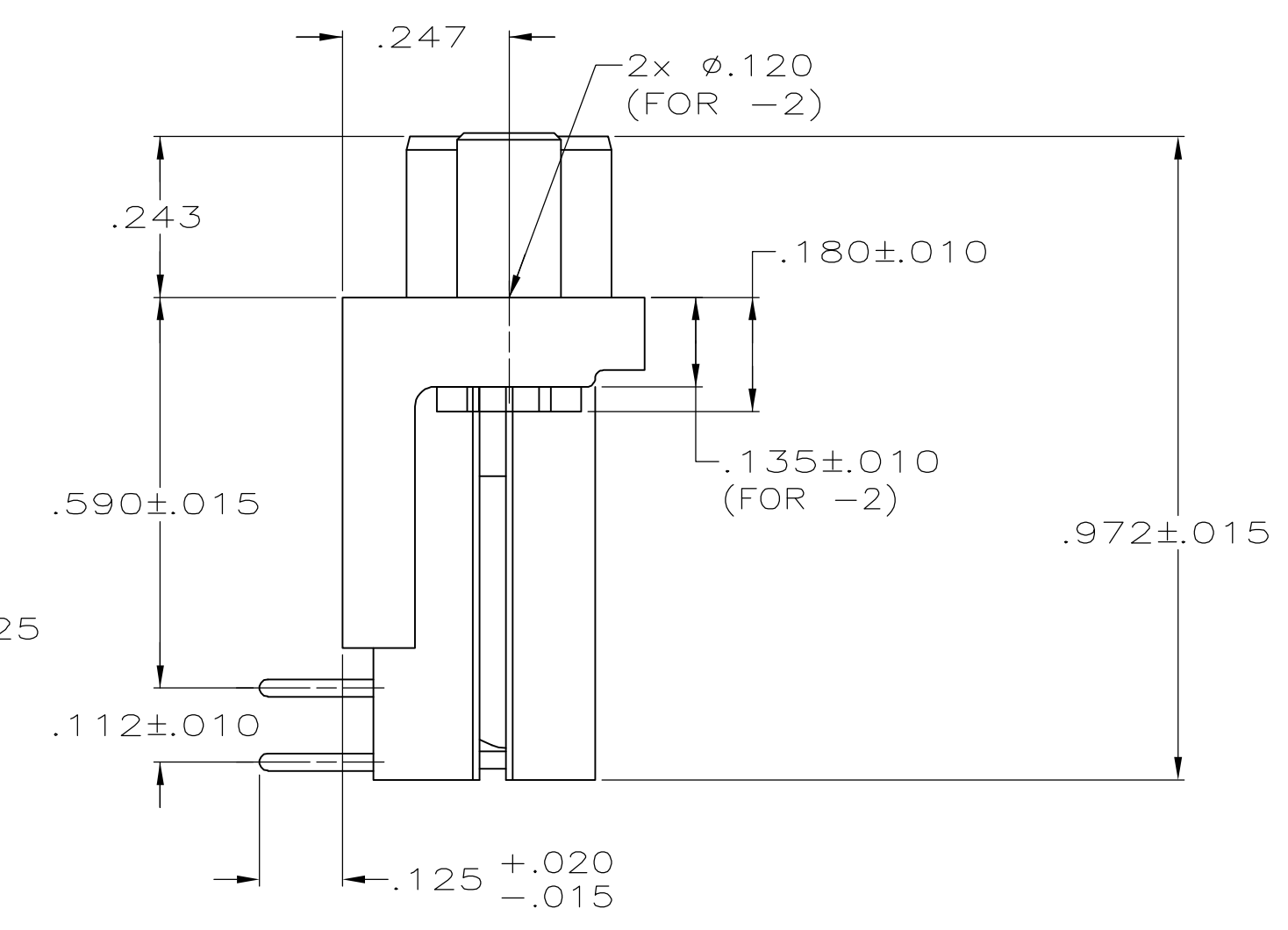
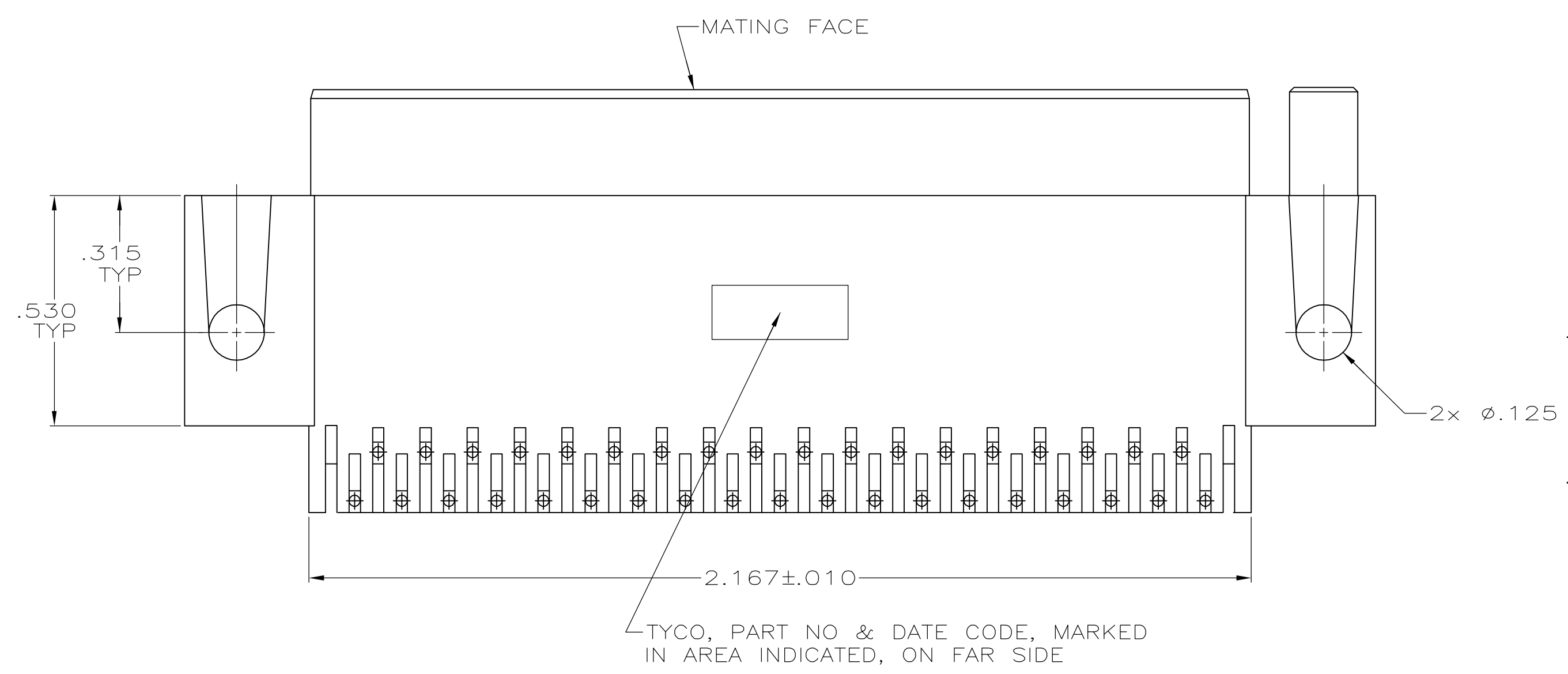


- 1 HOUSING: FLAME RETARDANT, 94V-0 RATED, GLASS FILLED, NYLON OR POLYESTER, COLOR: BLACK
CONTACTS: PHOS BRONZE.
INSERTS & SCREWLOCKS: ZINC.
- 2 REFER TO APPLICATION SPEC FOR RECOMMENDED P.C. BOARD MOUNTING DIMENSIONS FOR AUTOMATIC INSERTION.
- 3 CONTACTS: PLATED WITH .000030 MIN GOLD FOR LENGTH OF .055 MIN FROM MATING END, .000100 MIN TIN ON SOLDER END, ALL OVER .000050 MIN NICKEL ON ENTRIE CONTACT.
INSERTS & SCREWLOCKS: CLEAR CHROMATE COATING.



RECOMMENDED P.C. BOARD MOUNTING DIMENSIONS

WITH SCREWLOCKS	5747462-6
WITH INSERTS	5747462-4
WITH .120 DIA HOLE	5747462-2
REMARKS	PART NUMBER

**COPYRIGHT 2005
 TYCO ELECTRONICS CORP
 ALL RIGHTS RESERVED**

THIS DRAWING IS A CONTROLLED DOCUMENT.		DWN G. PETERS	16SEP05		Tyco Electronics Corporation Harrisburg, PA 17105-3608	
DIMENSIONS: INCHES		CHK S. BOLASH	16SEP05		APVD M. WALMSLEY	16SEP05
TOLERANCES UNLESS OTHERWISE SPECIFIED:		0 PLC ± -		RECEPTACLE ASSY, SIZE 4, 37 POSN, RIGHT ANGLE, .590 SERIES, .026 DIA POSTS, AMPLIMITE HD-20		
1 PLC ± -		1 PLC ± -		PRODUCT SPEC		
2 PLC ± -		2 PLC ± -		APPLICATION SPEC		
3 PLC ± .005		3 PLC ± -		SIZE		
4 PLC ± -		4 PLC ± -		CAGE CODE		
ANGLES ± z		114-40015		DRAWING NO		
MATERIAL		WEIGHT		RESTRICTED TO		
FINISH		A1 00779		CUSTOMER DRAWING		
SCALE		4:1		SHEET 1 OF 1		
REV		0		REV		